



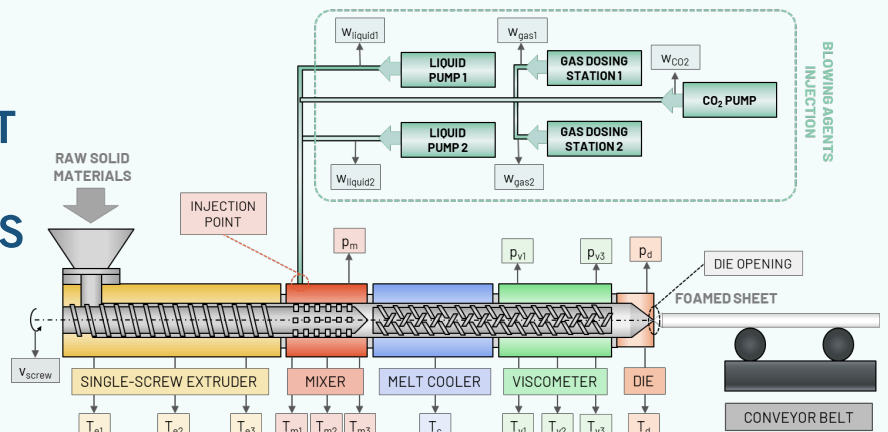
BIO-BASED FOAMED TRAYS

FOR FOOD PACKAGING

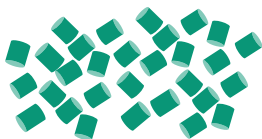


- ✓ Biopolymers tested: PLA and PBS
- ✓ Nanofillers tested: nanoclays
- ✓ 10-30% weight reduction with respect to solid trays
- ✓ Cellular structure refinement and microcells formation with nanoclays addition
- ✓ Stiffness increment and gas barrier improvement with nanoclays reinforcement

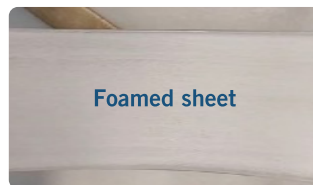
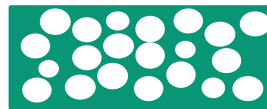
FOAMING PILOT LINE AT CELLMAT FOR PHYSICAL BLOWING AGENTS



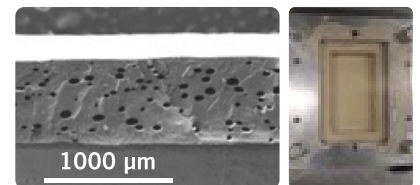
STEP 1 COMPOUNDING



STEP 2 EXTRUSION FOAMING



STEP 3 THERMOFORMING



CONTACT INFORMATION

COMPOUNDING WITH NANOFILLERS • ITENE

Alberto López, Team leader in biofoams • M: a.lopez@cellmattechnologies.com • T: +34 601 326 714

Victoria Bernardo, Team leader in physical foamings • M: v.bernardo@cellmattechnologies.com • T: +34 644 673 609

EXTRUSION FOAMING AND THERMOFORMING • CELLMAT

Natalia Ortuño, Project manager in biopolymers • M: natalia.ortuno@itene.com • T: +34 672 387 273



This project has received funding from the European Union's Horizon 2020 Research and Innovation programme under grant agreement No. 953206.